

X-GRIP FRAME GUARD YAMAHA TÉNÉRÉ 700

X-GRIP PARATELAIO YAMAHA TÉNÉRÉ 700

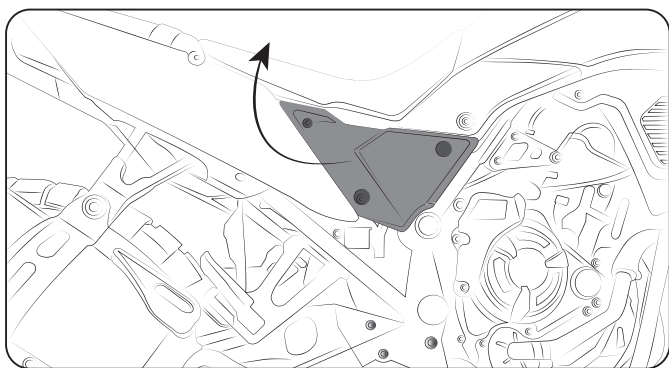
ACERBIS

COD. 500007910 REV.1

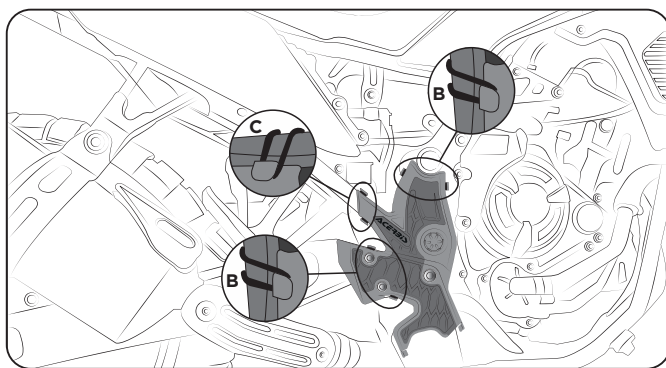
ACERBIS PARTS**A** - (1 pcs. sx - 1 pcs. dx)**B** - (3 pcs.)**C** - (2 pcs.)**WARNING**

ATTENZIONE: Si consiglia vivamente di rimuovere periodicamente il prodotto per la pulizia e la manutenzione.

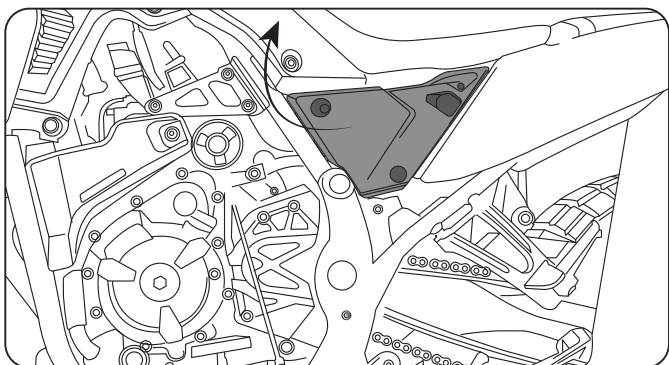
ATTENTION: Highly recommended to remove product periodically for cleaning maintenance.

**1 - Remove the right carter protection.**

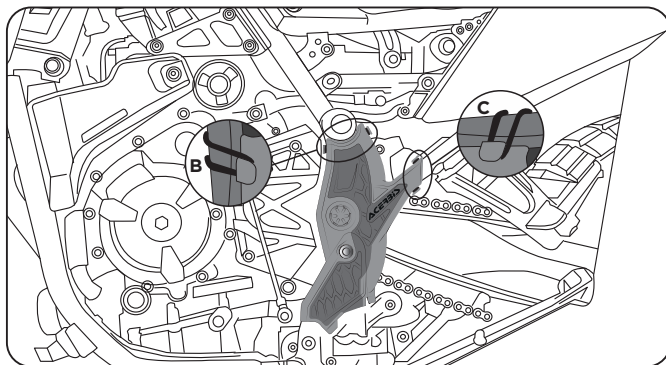
1 - Rimuovere la protezione carter destra.

**2 - Fix the right X-Grip using 2 large O-rings (B) and 1 small O-ring (C) in the appropriate spaces.**

2 - Fermare l'X-Grip destro tramite N° 2 O-ring grandi (B) e N° 1 O-ring piccolo (C) negli appositi spazi.

**3 - Remove the left carter protection.**

3 - Rimuovere la protezione carter sinistra.

**4 - Fit the left X-Grip into the seat of the footboard and fix it with 1 large O-ring (B) and 1 O-ring small (C) in the spaces provided.**

4 - Incastrare l'X-Grip sinistro nella sede della pedana e fissarlo tramite N° 1 O-ring grande (B) e N° 1 O-ring piccolo (C) negli appositi spazi.

WARNING!

Use at your own risk. Check the security of your device before you ride. Be sure that you follow the instructions installing the Acerbis products. Do not ride if there is missing or damaged hardware. If this is the case, take the item immediately back to your dealer. Make sure the throttle and other controls are free every time you ride. Lack of attention to instruction and warning could lead to interference with the controls, loss of control, and an accidents. Acerbis recommends that installation must be done by a licensed mechanic and that only Acerbis original parts are used during fitting. Acerbis makes no guarantees or representations, express or implied, regarding the fitness of its products for any particular purpose. Acerbis makes no guarantees or representations, express or implied, regarding the extent to which its product protect individuals or property from injury or death or damage.

ACERBIS ITALIA S.P.A. VIA SERIO, 37 - 24021 ALBINO (BG) - ITALY

Phone +39 035773577 - Fax +39 035773570 - INFOMOTO@ACERBIS.IT - WWW.ACERBIS.COM

ACERBIS U.S.A. Inc.

MAIL P.O. BOX 2030 SUN VALLEY, ID 83353 SHIP 110 LINDSAY CIRCLE KETCHUM, ID 83340

Phone (800) 659-1440 - Fax (208) 726-7039 - INFOUSA@ACERBIS.COM

ACERBIS U.K. Ltd

UNIT 2 LUTON ENTERPRISE PARK SUNDON PARK ROAD LUTON, BEDFORDSHIRE LU3 3GU GREAT BRITAIN

Phone +44 1582491076 - Fax +44 1582499639 - UKINFO@ACERBIS.IT